

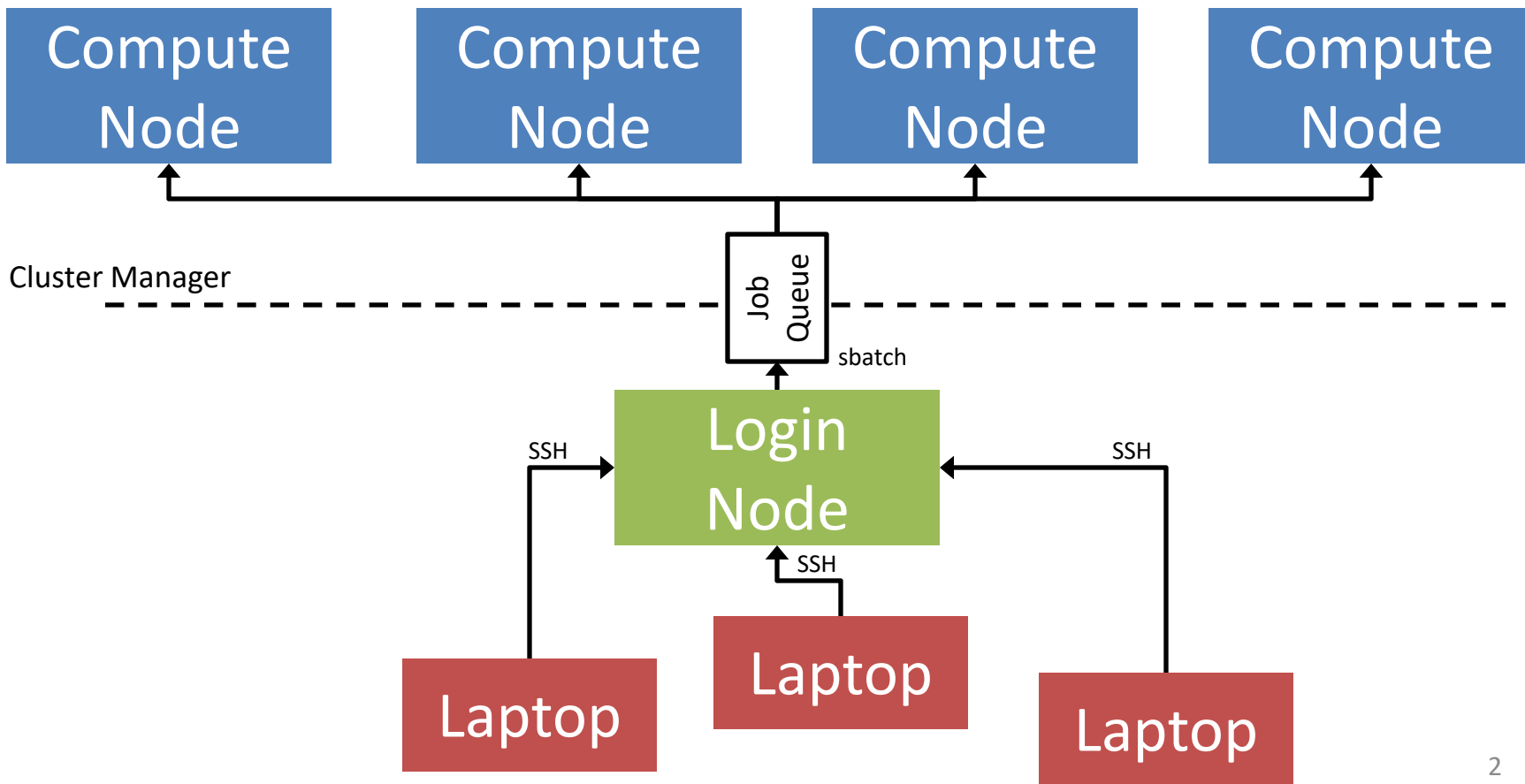
# COMP 322, Lab 5

# Goals for this Lab

Gain experience working with the NOTS compute cluster and the Unix shell.

Explore loop parallelism with HJlib and Java Parallel Streams.

# NOTS



# Shell Introduction

Lab handout includes a brief introduction to some useful commands (with pointers to other references).

No required tasks related to the shell for this lab, purely for your benefit.

Feel free to grab a TA if you have questions about the shell.

# Loop Parallelism in Image Convolution

Apply a transformation kernel to an image to produce a new image (see the lab handout for a link to more background info).



$$+ \begin{pmatrix} 0 & -1 & 0 \\ -1 & 5 & -1 \\ 0 & -1 & 0 \end{pmatrix} =$$

