

COMP 322: Fundamentals of Parallel Programming

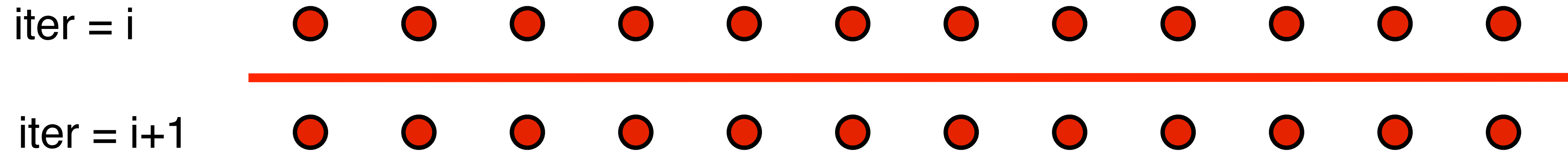
Lecture 33: Point to Point Synchronization with Phasers

Mack Joyner and Zoran Budimlić
{mjoyner, zoran}@rice.edu

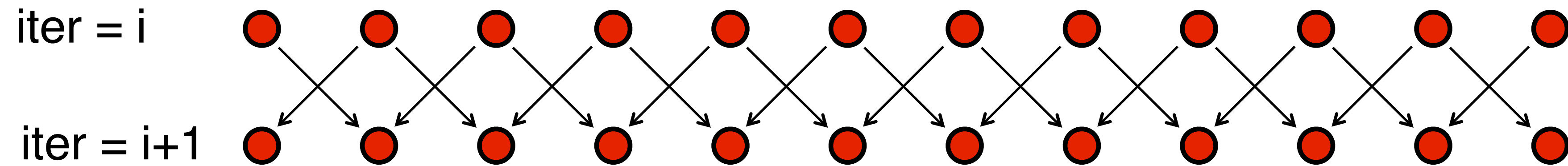
<http://comp322.rice.edu>



Barrier vs Point-to-Point Synchronization in One-Dimensional Iterative Averaging Example



Barrier synchronization

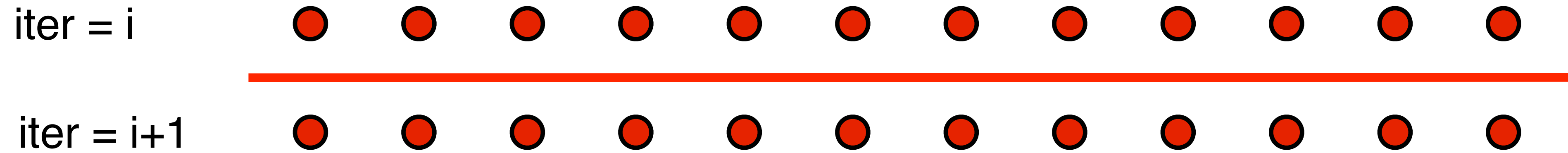


Point-to-point synchronization

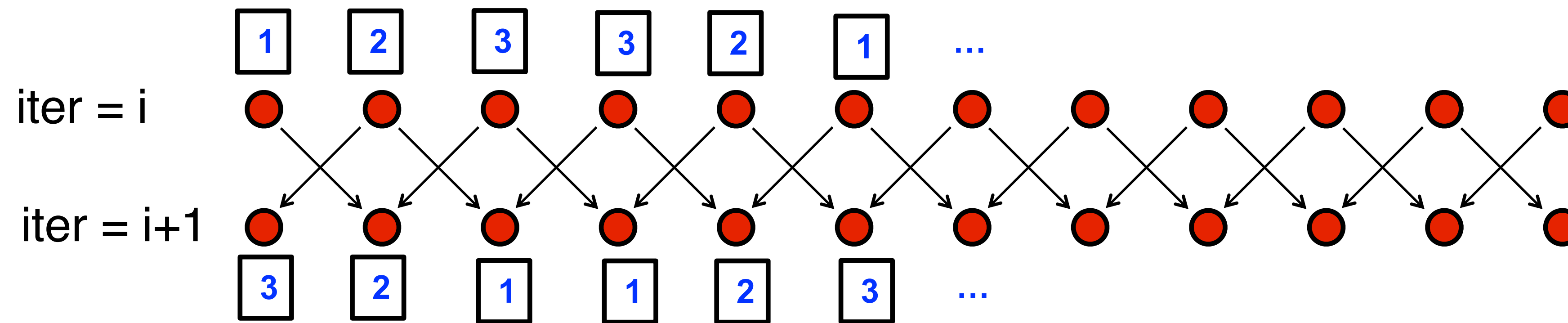
Question: Can the point-to-point computation graph result in a smaller CPL than the barrier computation graph?



Barrier vs Point-to-Point Synchronization in One-Dimensional Iterative Averaging Example



Barrier synchronization



Point-to-point synchronization

Question: Can the point-to-point computation graph result in a smaller CPL than the barrier computation graph?



Phasers: a unified construct for barrier and point-to-point synchronization

- HJ phasers unify barriers with point-to-point synchronization
 - Inspiration for `java.util.concurrent.Phaser`
- Previous example motivated the need for “point-to-point” synchronization
 - With barriers, phase i of a task waits for *all* tasks associated with the same barrier to complete phase $i-1$
 - With phasers, phase i of a task can select a subset of tasks to wait for
- Phaser properties
 - Support for barrier and point-to-point synchronization
 - Support for dynamic parallelism --- the ability for tasks to drop phaser registrations on termination (end), and for new tasks to add phaser registrations (async phased)
 - A task may be registered on multiple phasers in different modes



Simple Example with Four Async Tasks and One Phaser

```
1. finish (() -> {
2.   ph = newPhaser(SIG_WAIT); // mode is SIG_WAIT
3.   asyncPhased(ph.inMode(SIG), () -> {
4.     // A1 (SIG mode)
5.     doA1Phase1(); next(); doA1Phase2(); });
6.   asyncPhased(ph.inMode(SIG_WAIT), () -> {
7.     // A2 (SIG_WAIT mode)
8.     doA2Phase1(); next(); doA2Phase2(); });
9.   asyncPhased(ph.inMode(HjPhaserMode.SIG_WAIT), () -> {
10.    // A3 (SIG_WAIT mode)
11.    doA3Phase1(); next(); doA3Phase2(); });
12.   asyncPhased(ph.inMode(HjPhaserMode.WAIT), () -> {
13.    // A4 (WAIT mode)
14.    doA4Phase1(); next(); doA4Phase2(); });
15. });
```



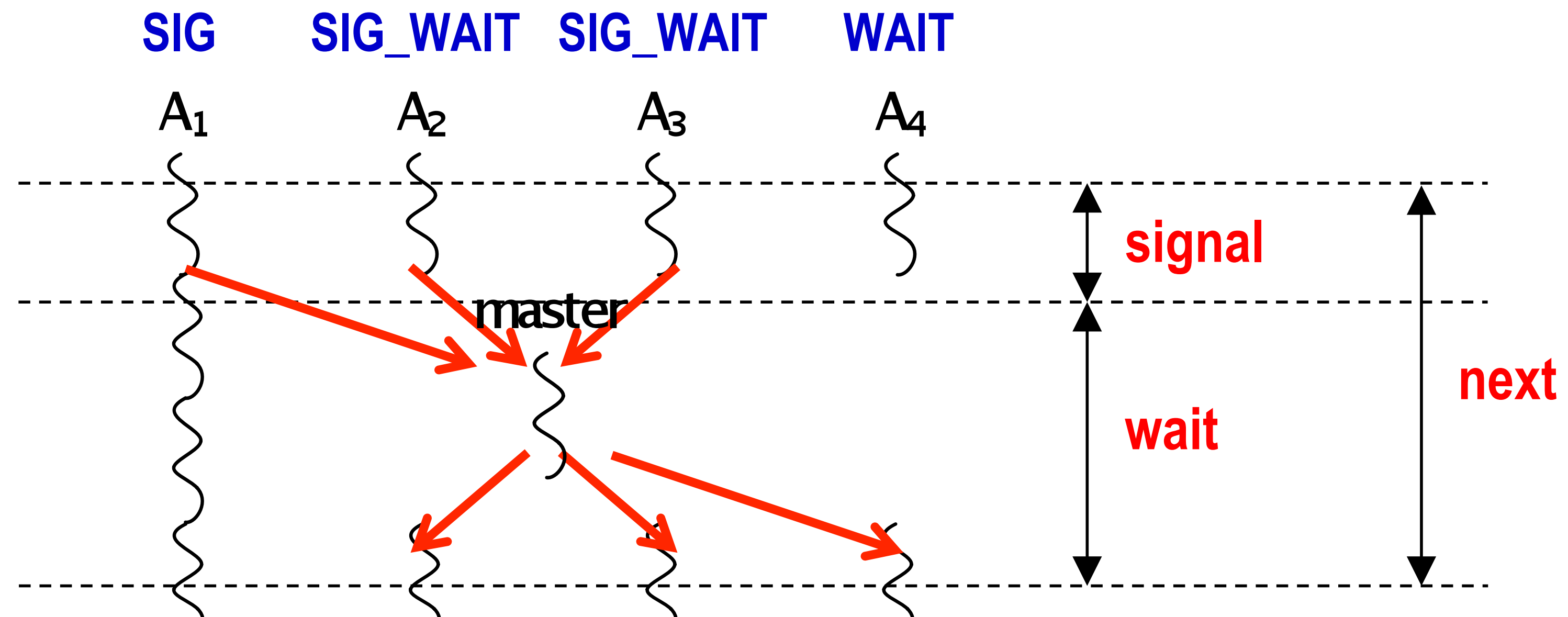
Computation Graph Schema Simple Example with Four Async Tasks and One Phaser

Semantics of **next** depends on registration mode

SIG_WAIT: **next = signal + wait**

SIG: **next = signal**

WAIT: **next = wait**



Summary of Phaser Construct

- Phaser allocation
 - `HjPhaser ph = newPhaser(mode);`
 - Phaser `ph` is allocated with registration mode
 - Phaser lifetime is limited to scope of Immediately Enclosing Finish (IEF)
- Registration Modes
 - `HjPhaserMode.SIG`, `HjPhaserMode.WAIT`,
`HjPhaserMode.SIG_WAIT`, `HjPhaserMode.SIG_WAIT_SINGLE`
 - NOTE: phaser `WAIT` is unrelated to Java `wait/notify`
- Phaser registration
 - `asyncPhased (ph1.inMode(<mode1>), ph2.inMode(<mode2>), ... () -> <stmt>)`
 - Spawned task is registered with `ph1` in `mode1`, `ph2` in `mode2`, ...
 - Child task's capabilities must be subset of parent's
 - `asyncPhased <stmt>` propagates all of parent's phaser registrations to child
- Synchronization
 - `next();`
 - Advance each phaser that current task is registered on to its next phase
 - Semantics depends on registration mode
 - Barrier is a special case of phaser, which is why `next` is used for both



Capability Hierarchy

- A task can be registered in one of four modes with respect to a phaser: SIG_WAIT_SINGLE, SIG_WAIT, SIG, or WAIT. The mode defines the set of capabilities — signal, wait, single — that the task has with respect to the phaser. The subset relationship defines a natural hierarchy of the registration modes. A task can drop (but not add) capabilities after initialization.

SIG_WAIT_SINGLE = { signal, wait, single }

SIG_WAIT = { signal, wait }

SIG = { signal }

WAIT = { wait }

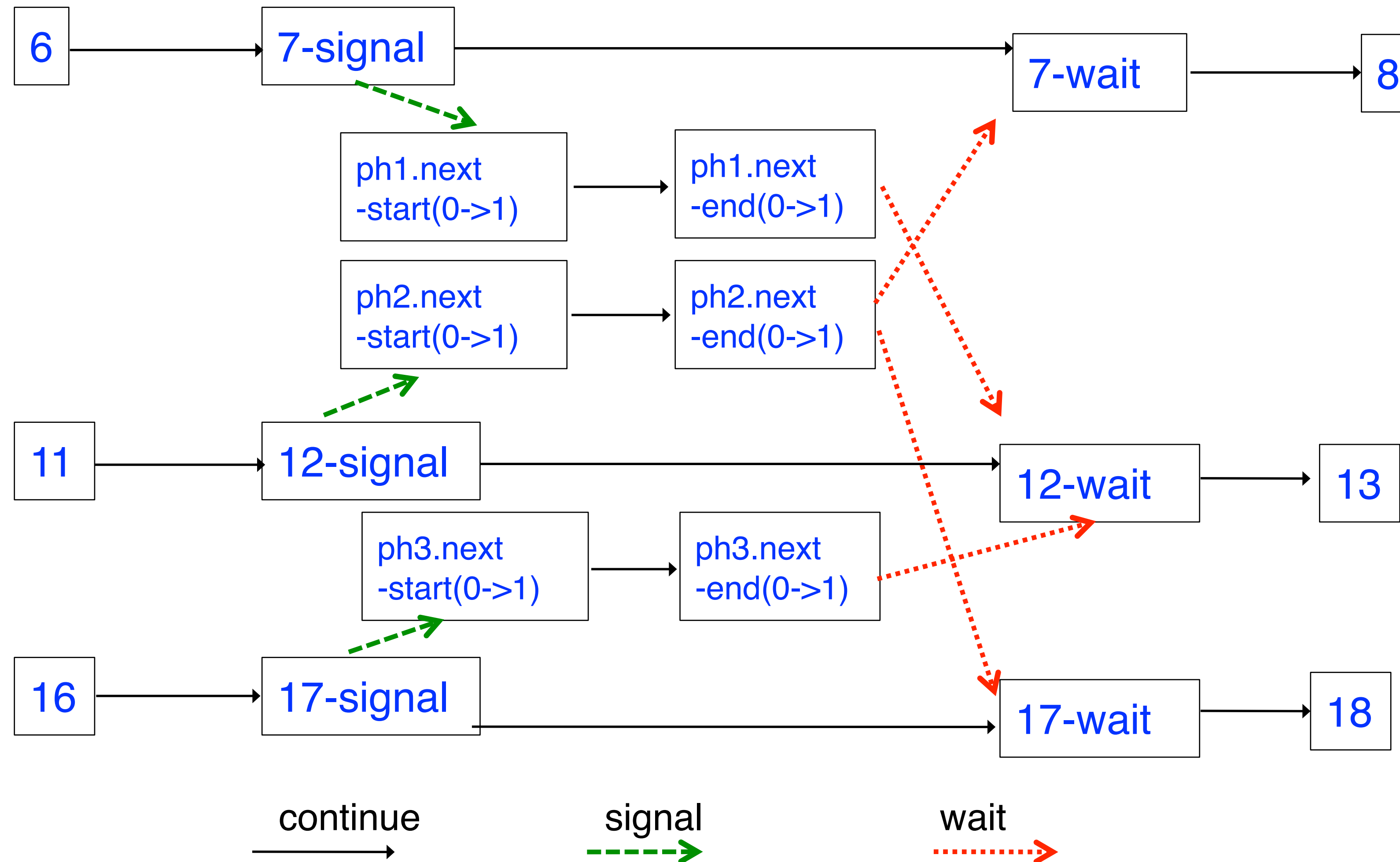


Left-Right Neighbor Synchronization (with $m=3$ tasks)

```
1. finish() -> { // Task-0
2.   final HjPhaser ph1 = newPhaser(SIG_WAIT);
3.   final HjPhaser ph2 = newPhaser(SIG_WAIT);
4.   final HjPhaser ph3 = newPhaser(SIG_WAIT);
5.   asyncPhased(ph1.inMode(SIG),ph2.inMode(WAIT),
6.     () -> { doPhase1(1);
7.       next(); // signals ph1, waits on ph2
8.       doPhase2(1);
9.     }); // Task T1
10.  asyncPhased(ph2.inMode(SIG),ph1.inMode(WAIT),ph3.inMode(WAIT),
11.    () -> { doPhase1(2);
12.      next(); // signals ph2, waits on ph1, ph3
13.      doPhase2(2);
14.    }); // Task T2
15.  asyncPhased(ph3.inMode(SIG),ph2.inMode(WAIT),
16.    () -> { doPhase1(3);
17.      next(); // signals ph3, waits on ph2
18.      doPhase2(3);
19.    }); // Task T3
20.}); // finish
```



Computation Graph for m=3 example (without async-finish nodes and edges)



forallPhased barrier is just an implicit phaser!

1. forallPhased(iLo, iHi, (i) -> {
2. S1; next(); S2; next();{...}
3. });

is equivalent to

1. finish(() -> {
2. // Implicit phaser for forall barrier
3. final HjPhaser ph = newPhaser(SIG_WAIT);
4. forseq(iLo, iHi, (i) -> {
5. asyncPhased(ph.inMode(SIG_WAIT), () -> {
6. S1; next(); S2; next();{...}
7. }); // next statements in async refer to ph
8. });



Announcements & Reminders

- Quiz #7 is due **today** at 11:59pm
- Hw #5 checkpoint 1 is now due Sunday, April 10th at 11:59pm

